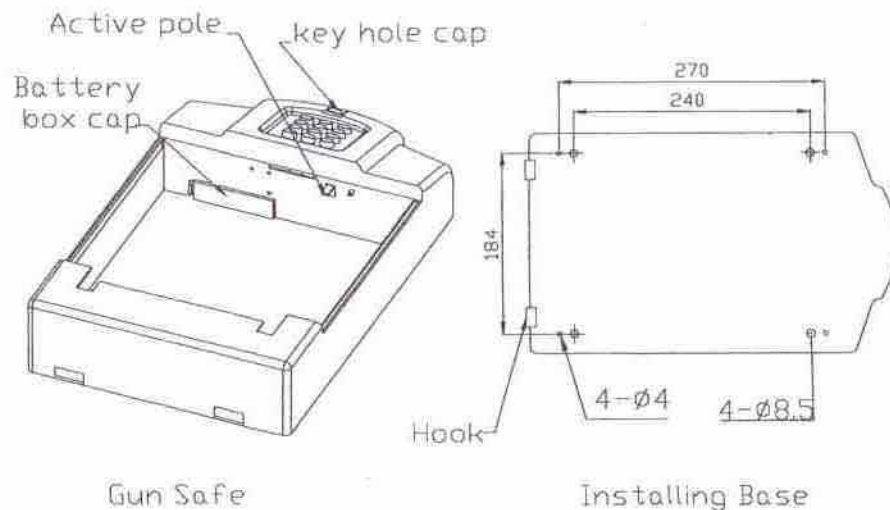


WARNING:

- ⚠ *When the safe is used for the first time, please open through the unlocking key to be inserted in the keyhole, then insert the batteries ;*
- ⚠ *Please modify code just after installing the safe and batteries ;*
- ⚠ *Do not use birthday date and telephone numbers as code ;*
- ⚠ *Do not keep mechanical key inside the safe itself ;*

1 Main features

- Input correct code, the door is sprung up automatically
- Three times error entry, the safe will be in lock
- Made of high quality steel
-

2 Production configure**3 Installation**

- 1) **Remove the safe from the installing base:** Open the safe, press the active pole in the front of the safe (see the drawing), lift the shell tray while lifting the safe from the installing base and separate it from the installing base
- 2) Fix the installing base by four screws.
- 3) **Install the safe onto the installing base:** let the two hooks in the installing base insert into the back of the safe, and press the front of the safe downwards to hear "ka", that informing the safe has been fixed on the installing base successfully.

4 Batteries installation or replacement (use only alkaline type-n. 4 size AA-1,5 V)

Remove the shell tray, then remove the battery lid (see drawing), take out battery box, place 4 x AA/1.5V batteries, push battery box into and insert the battery lid.

Caution: If the voltage of batteries is deficient, when you press the keys, there will be three beeps to inform you that batteries have to be replaced.

5 Open the safe**5.1 Open the safe with guest code**

The default code is 168, input your code, press "#", the lid will open automatically.

5.2 Open the door with the mechanical key

Pull out the key hole cap, insert the key and turn it clockwise, the lid opens automatically. In open position of the lid, turn the key anti-clockwise and remove it.

6 Lock the safe

Press the lid downwards to hear the "ka" to inform you the safe is locked.

7 Modify codes

Press "0" twice, press "#", input original code, press "#", input new code, press "#", input new code again, press "#", the buzzer beeps a little long, the code is modified.

Note: the code's length is 3 to 6 bits, default code is 168.

8 Technical parameter

| | |
|-----------------------------|-----------------------|
| Power supply | 4 x AA/1.5V batteries |
| Workingtemperature | -10°C ~ +70°C |
| Working humidity | 20% ~ 90%RH |
| Nr. Of combination | $\geq 10^6$ |
| Static current consumption | < 10 μ A; |
| Dynamic current consumption | 150 ~ 300 mA |

9 Warranty

The safe is guaranteed against any defect in materials and workmanship for the period forecasted by the law in force. Within this period repairs will be performed the defective safe or and the defective pieces changed free of charge when approved by the manufacturer or by authorized Service Centres.

This warranty is not valid without proof of purchase (fiscal receipt or invoice) or in the case of damage deriving from misuse, faulty mounting, tampering of components or lack of care, non-observance of the instructions contained in this manual or other causes not depending from the manufacturer. The warranty does not include liability for costs incurred by the customer for repairs performed by unauthorized personnel or deriving from bad functioning or from suspended use.

10 On-site repairs

When requesting the intervention of the Service Centre it's an essential requirement to specify the date of purchase (see receipt of invoice) and the model and security code of your safe as reported on the testing certificate. In case it is impossible to return the safe to the factory for repairs, the Service Centre can provide specialized personnel for on-site repairs and/or replacement of defective components, if any.

In this event, even under warranty, the customer will be charged subsistence costs, car allowance and any expense incurred.

If warranty is elapsed, the customer shall pay for labour and parts as well.

